

80 and 100 W - 10 Nm - Right-angle gearbox 801815 Part number Contact us



With or without integrated control electronics

- Output perpendicular to motor
- Ideal for short reduction ratios
- Ideal for very compact applications
- Silent operation
- Non-reversible movement at high ratios

Part numbers

Type	With built-in electronic control	Without built-in control, with Hall effect sensors	Ratios (i)	Output speed (rpm) 24 V DC	Available torque (Nm)
CONTACT US 801815 -	-	yes	20	163	2,9

Specifications

General characteristics

Motor	801805
Nominal motor power at 24 V (W)	100
Speed control	-
Axial load dynamic (N)	100
Radial load dynamic (N)	150
Temperature rise at 50 % cycle (°C)	45
Weight (g)	1920
Protection index	IP54

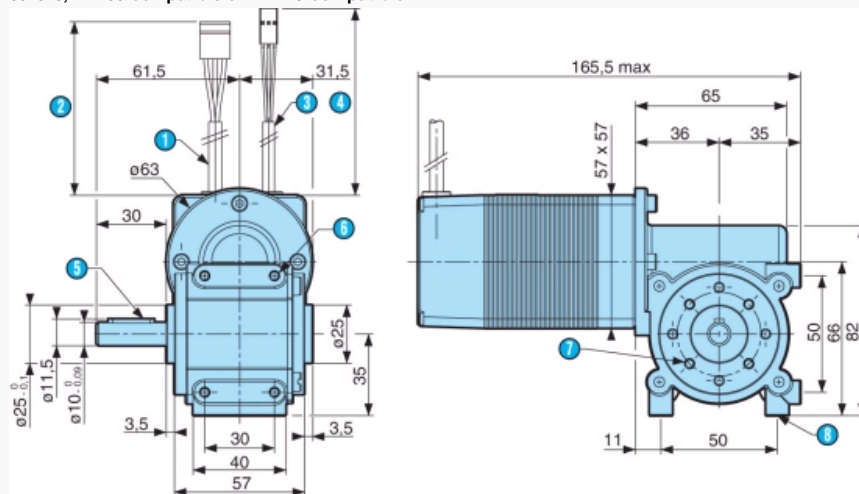
Comments

Accessories

Description	Code
	79238958
	79238959
	84855101

Dimensions (mm)

801815, BDE30-compatible or BDE40-compatible



N°	Legend
①	Cable 3 x AWG18
②	Length of power cable 500 ± 5 mm
③	Cable 6 x AWG24

①	Length of control cable 500 ± 5 mm
②	Parallel key (4x4x20 DIN 6885 A)
③	4 holes M5, depth 8 mm
⑦	4 holes M4 at 90° over Ø 36, depth 8 mm
④	4 holes M5 depth 8 mm

Precautions for use

The limits and precautions for use described in the 80 W brushless motor section must be observed.

Continuous use may cause the gearbox to overheat.

This geared motor is recommended for applications in which the operating time does not exceed 50 % of the total time. For longer times, please consult us.

Product adaptations



- 2-quadrant speed regulation
- With built-in electronic card TNi20
- No lead output but connector in motor
- Dimensions of gearbox shaft
- Cable length, with or without connector
- Other reduction ratios
- Other windings
- Mechanical holding brake